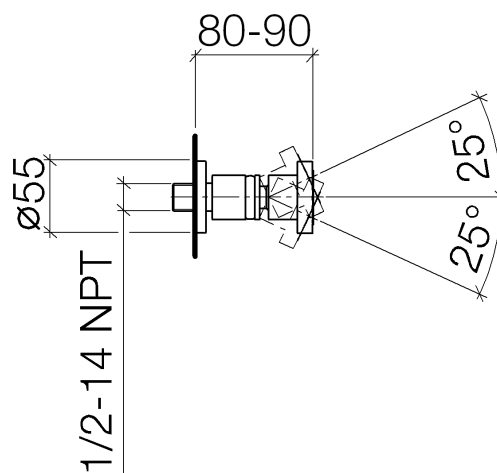




**Product specifications**

- Ø 2-1/8"
- swivels 25°
- Stream: Rain
- Descaling system
- Flange diameter 2-1/8"
- 1/2" connection
- Water flow rate limited to max. 2.1 gpm



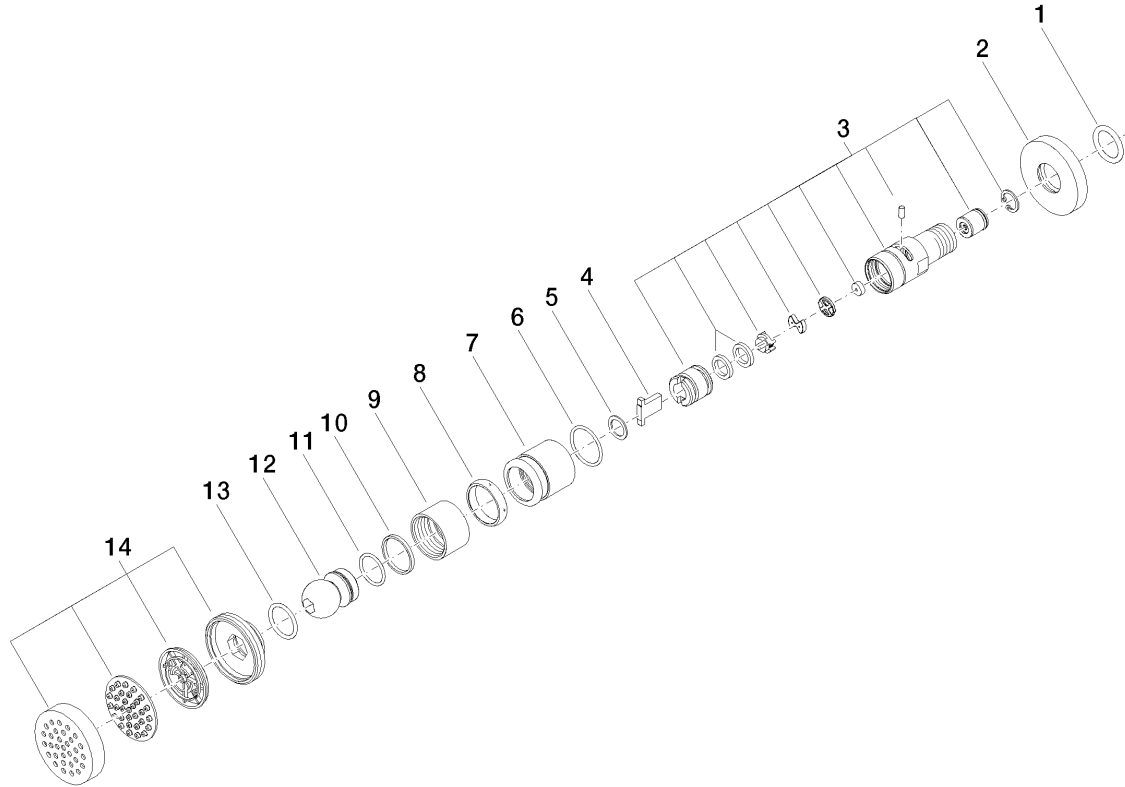
**Surfaces**

- chrome 28519979-00
- matt platinum 28519979-06
- 28519979-99

**Accessories required**

- Rough-in adapter; 35 080 970

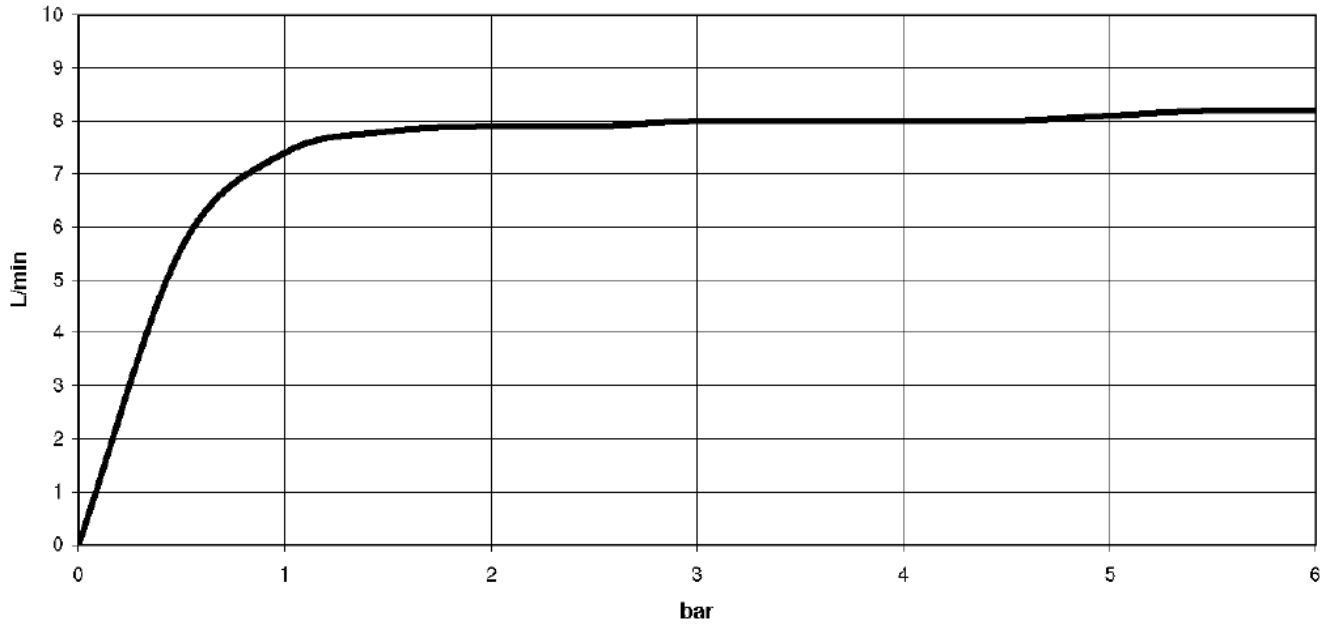
**Exploded assembly drawing**



**Order quantity**

<b>No.</b>	<b>Article number</b>	<b>Name</b>	<b>Installation quantity</b>
<b>1</b>	09141002690	seal	1
<b>2</b>	092722003ff	rosette	1
<b>3</b>	90120801400ff	casing ( completely )	1
<b>4</b>	0918200142090	base	1
<b>5</b>	09141501190	ring	1
<b>6</b>	09141006390	seal	1
<b>7</b>	092810049ff	ring	1
<b>8</b>	09140302290	seal	1
<b>9</b>	092330026ff	nut	1
<b>10</b>	09141501090	ring	1
<b>11</b>	09141003190	seal	1
<b>12</b>	092140011ff	connection	1
<b>13</b>	09141001590	seal	1
<b>14</b>	90120502700ff	casing ( completely )	1

### Flow rate chart



### Trajectory Diagram

